



TRANS SPEED TK

THE VERSION FOR THE
DEEP FREEZE SECTOR





ADVANTAGES AT A GLANCE



Opening speed up to 2.0 m/s



Door size up to 4.0 m x 4.0 m



Resistance against wind load class 3



Low lintel requirement



Permanent curtain tension



Special curtain

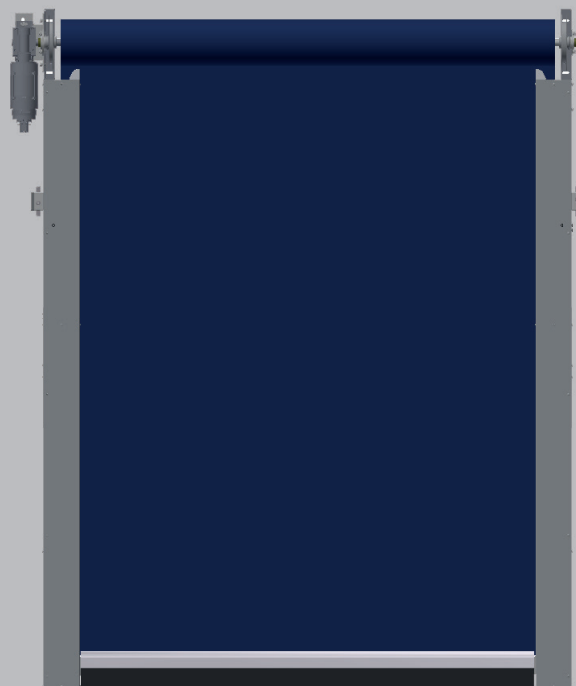


Track heating



Can be used down to -30°C

SPECIAL FEATURES

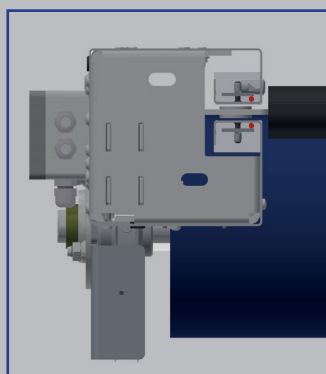


EFFICIENT DEEP FREEZE SOLUTIONS

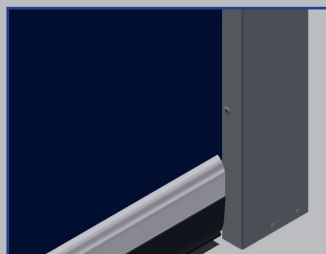
Our Transspeed door is presented in its deep-freeze version - TK with a reinforced PVC curtain that is specially designed for use in deep-freeze environments. Frost protection is guaranteed by an innovative heating system integrated into the guide rails to ensure smooth functionality even at extreme temperatures.

In addition, automatic movement cycles every 20 minutes not only ensure increased functional reliability when opening and closing the door, but also offer protection against the mechanism freezing.

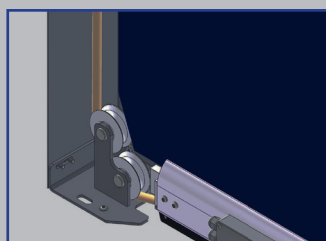
The permanent curtain tensioning system keeps the door leaf under tension at all times during opening and closing.



Track heating



Light barrier



Curtain tension

TECHNICAL DATA

- Opening speed up to 2.0 m/s
- Closing speed up to 0.8 m/s
- Door sizes up to 4.0 m high and 4.0 m wide
- DR2100 microprocessor control unit with main switch and integrated frequency inverter
- 230 V/50Hz, IP54 operator
- Required lintel height min. 345 mm
- Curtain available in various colours

SAFETY

- Protection against intrusion due to all-round guide rail covers
- Drive-through monitoring safety contact strip and light barrier
- Emergency opening with emergency hand crank

OUR FURTHER PRODUCT RANGE

TRANSSPEED TK (E) | 21.03.2024 | TECHNICAL CHANGES RESERVED



SPIRAL DOORS



FOLDING DOORS



HORIZONTAL HIGH-SPEED DOORS



VERTIKAL HIGH-SPEED DOORS



SWING DOORS



STRIP CURTAINS



MACHINE PROTECTION DOORS



SECTIONAL DOORS



STEEL / ALUMINUM ROLLER DOORS

SCOPE OF APPLICATION



INDUSTRY



TRANSPORT



LOGISTICS



AUTOMOTIVE



M. PROTECTIONS



CLEAN ROOM



SUPERMARKET



FOOD



COOLING AREA



ATEX

ITW Industrietore GmbH
Adolf-Kolping-Straße 14
73072 Donzdorf
Germany

Tel. +49 7162 9129-60
Fax +49 7162 9129-64
info@itw-torsysteme.de
www.itw-torsysteme.de

